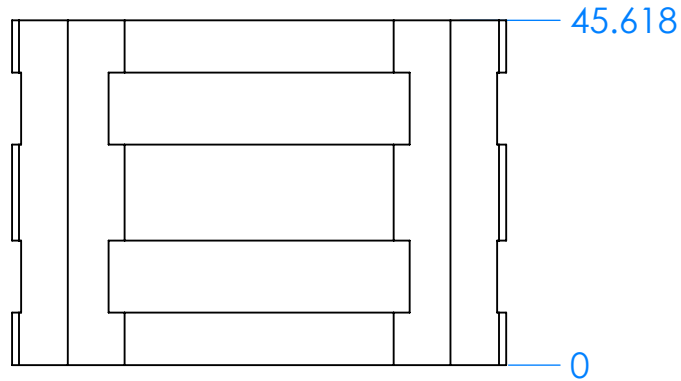
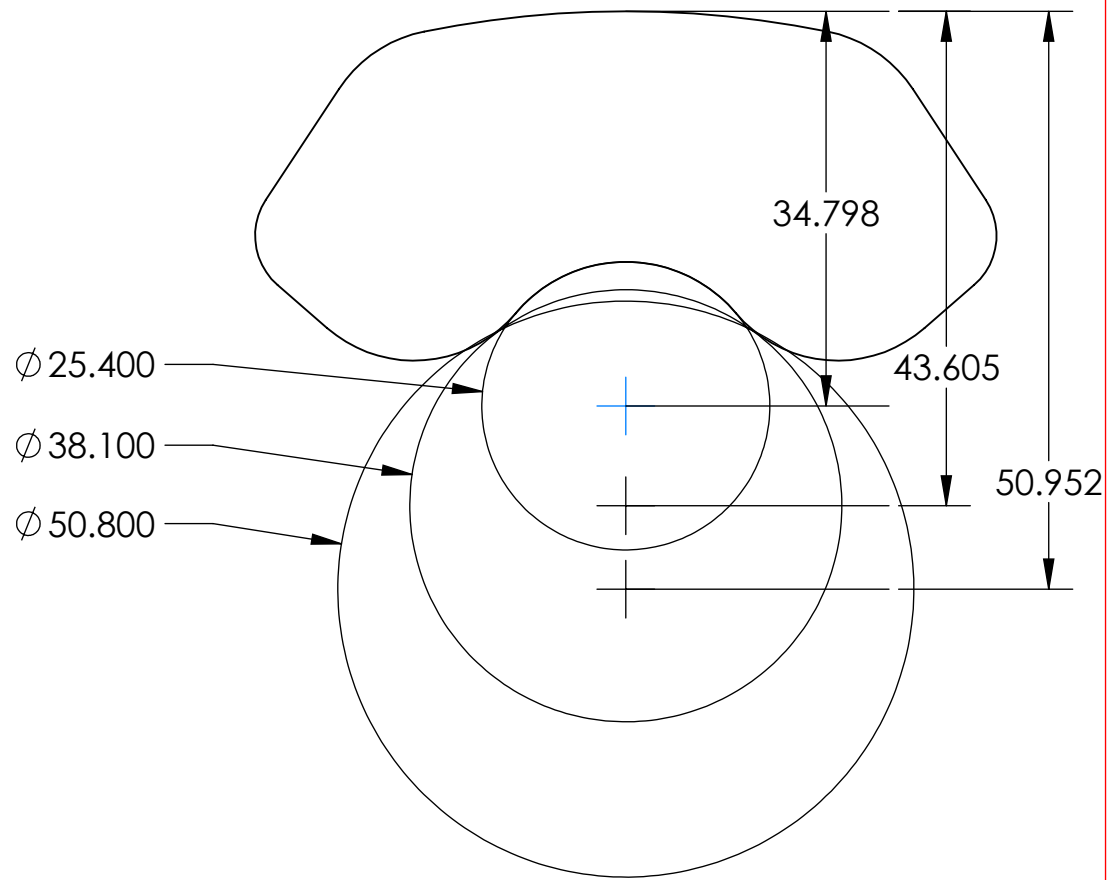
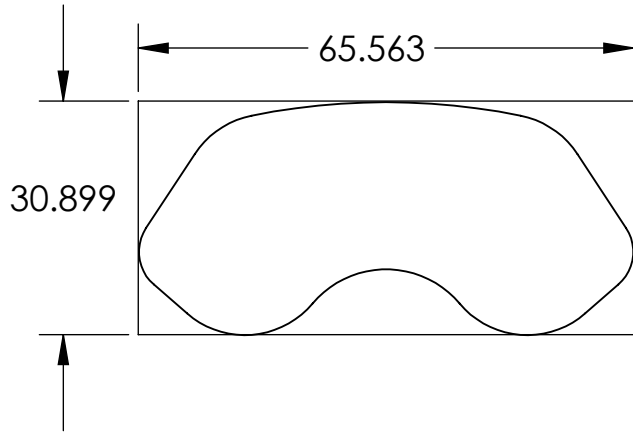


A
B
C
D
E
F
G



PROPRIETARY AND CONFIDENTIAL
 THE INFORMATION CONTAINED IN THIS DRAWING IS THE SOLE PROPERTY OF MICHIGAN SCIENTIFIC CORPORATION. ANY REPRODUCTION IN PART OR AS A WHOLE WITHOUT THE WRITTEN PERMISSION OF MICHIGAN SCIENTIFIC CORPORATION IS PROHIBITED.

DIMENSIONS ARE IN MILLIMETERS

TOLERANCES:
 .XXXX ±.0010
 .XXX ±.005
 .XX ±.01
 FRACTIONAL ±
 ANGULAR: MACH ±
 BEND ±

MATERIAL
Aluminum

FINISH
Machine

DO NOT SCALE DRAWING

	DATE	NAME
DRAWN	09/15/2020	EEAJ
CHECKED	9/15/2020	JL
ENG APPR.	---	---
MFG APPR.	****	*****
Q.A.	****	*****
COMMENTS: ---		

MICHIGAN SCIENTIFIC
 321 EAST HURON
 MILFORD, MICHIGAN 48381
 PHONE: (248)685-3939 FAX: (248)684-5406
 corporation

DRAWING DESCRIPTION: CBT-mini counter weight

PROJECT DESCRIPTION:

TITLE: CBT-MINI counter weight

SIZE	DWG. NO.	REV.
A	M888006-Customer	

SCALE: 1:1 WEIGHT: SHEET 1 OF 1